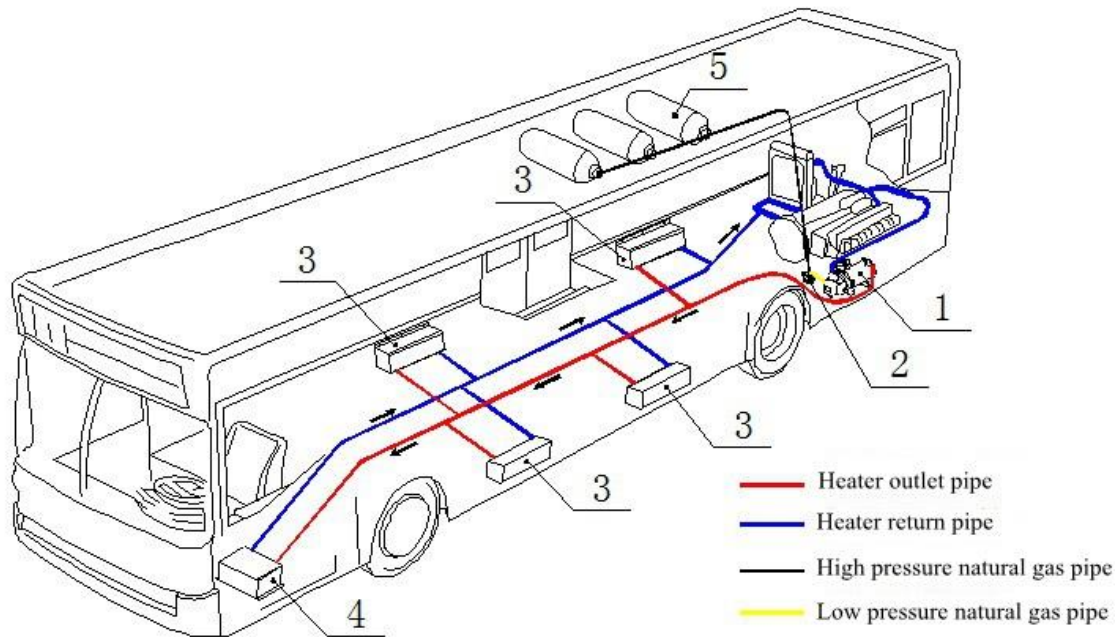




## 1、 The Installation diagram of YJT Series Gas Liquid Heater:



1.Heater 2.Natural gas pressure reducer 3.Radiator 4.Defroster 5.Gas cylinders

## 2、 The Technical Parameters of YJT Series Gas Liquid Heater:

Parameter Item Type	Thermal flow (KW)	Fuel consumption (Nm <sup>3</sup> /h)	Rated voltage (V)	Rated power (W)	The way of medium circulation	Weight (Kg)	Overall size L*W*H (mm)
YJT-Q20	20	2.6	DC24	160	Water pump forced circulation	22	583*361*266
YJT-Q30	30	3.8				24	623*361*266